

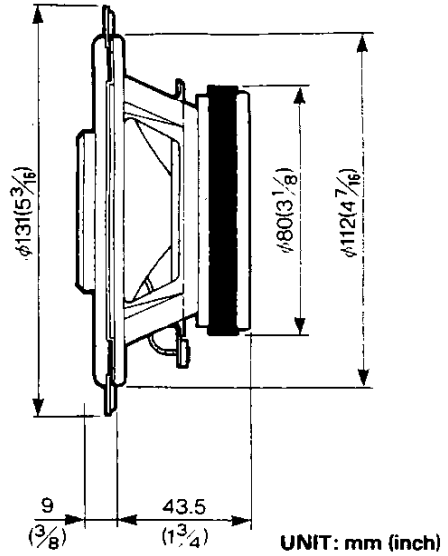
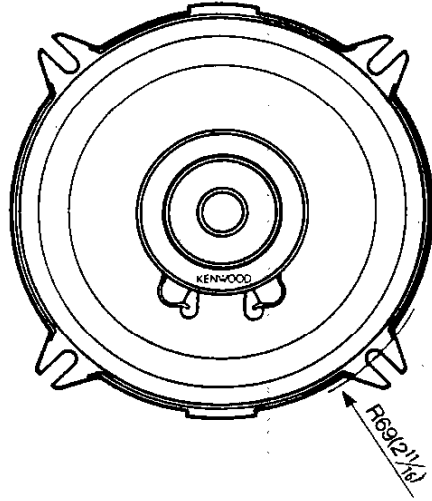
KFC-137E

SERVICE MANUAL

KENWOOD

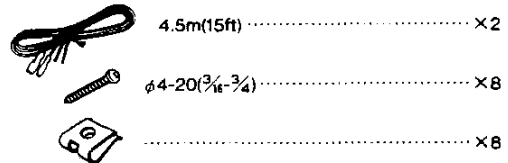
©1988-12 PRINTED IN JAPAN
B51-3768-00(B)1107

EXTERNAL VIEW



UNIT: mm (inch)

PARTS INCLUDED



SPECIFICATIONS

- Speakers
- Woofer 13cm(5 1/4in) Water proof treatment cone type
167g(5.9oz) Magnet.
 - Tweeter 4cm(1 9/16in) cone type
 - Peak power 50 Watts
 - Frequency Response 50Hz ~ 20,000Hz
 - Sensitivity 91dB/W at 1m
 - Impedance 4 ohms
 - Weight per speaker 0.57kg(1 lb 4 oz)/pc.

We follow a policy of advancements in development.
For this reason specifications may be changed without notice.

PARTS LIST

★ New parts
Parts without Parts No. are not supplied.
Les articles non mentionnés dans le Parts No. ne sont pas fournis.
Teile ohne Parts No. werden nicht geliefert.

Ref No.	New Parts	Parts No.	Description
		B46-0100-10	WARRANTY CARD
	★	E30-1237-08	CORD SET
	★	N99-1088-08	SCREW SET
	★	T15-0126-08	SPEAKER